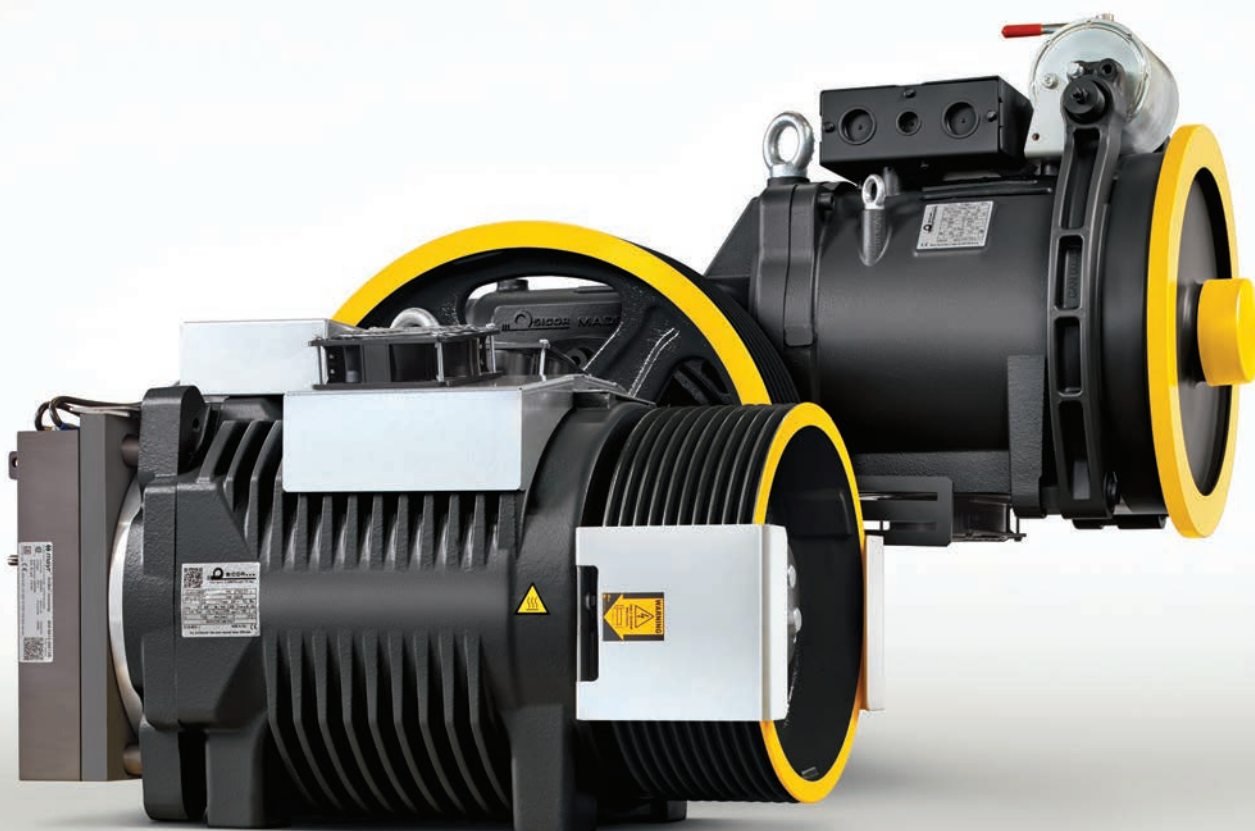


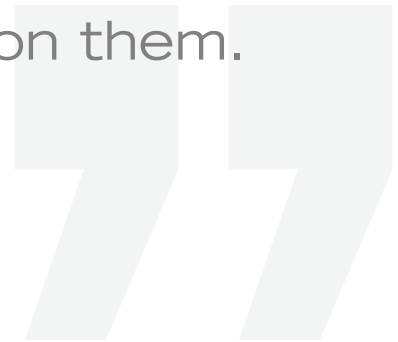
GEARED & GEARLESS SERIES

motors for lifting solutions





Understanding the market,
anticipating its needs,
making them ours and
building our projects on them.



Driving the future

Sicor S.R.L., founded in 1981 in Rovereto (TN) as a manufacturer of lifting machines for elevators. Always focused on the application, thanks to a constant process of research and development, Sicor S.R.L. has developed over the years a complete range of products, geared and gearless machines, fit to satisfy the many and varied needs of the market.



Design and production are carried out according to a tested Quality System which guarantees the reliability and performance of the machines.

Each produced motor is subjected to a rigorous final test and quality checks are carried out on all the components.

The test tower allows the verification of machines in the real operating environment of the final customer allowing a perfect set-up.

An innovative online product configurator allows to quickly identify the appropriate traction unit based on the main specifications of the lift system.

SICOR has also certified its quality system, its health and safety management system and its environmental management system according to the most important international standards.

The market needs new answers and Sicor offers them through a new vision, made up of agility, innovation, customer involvement and service quality.

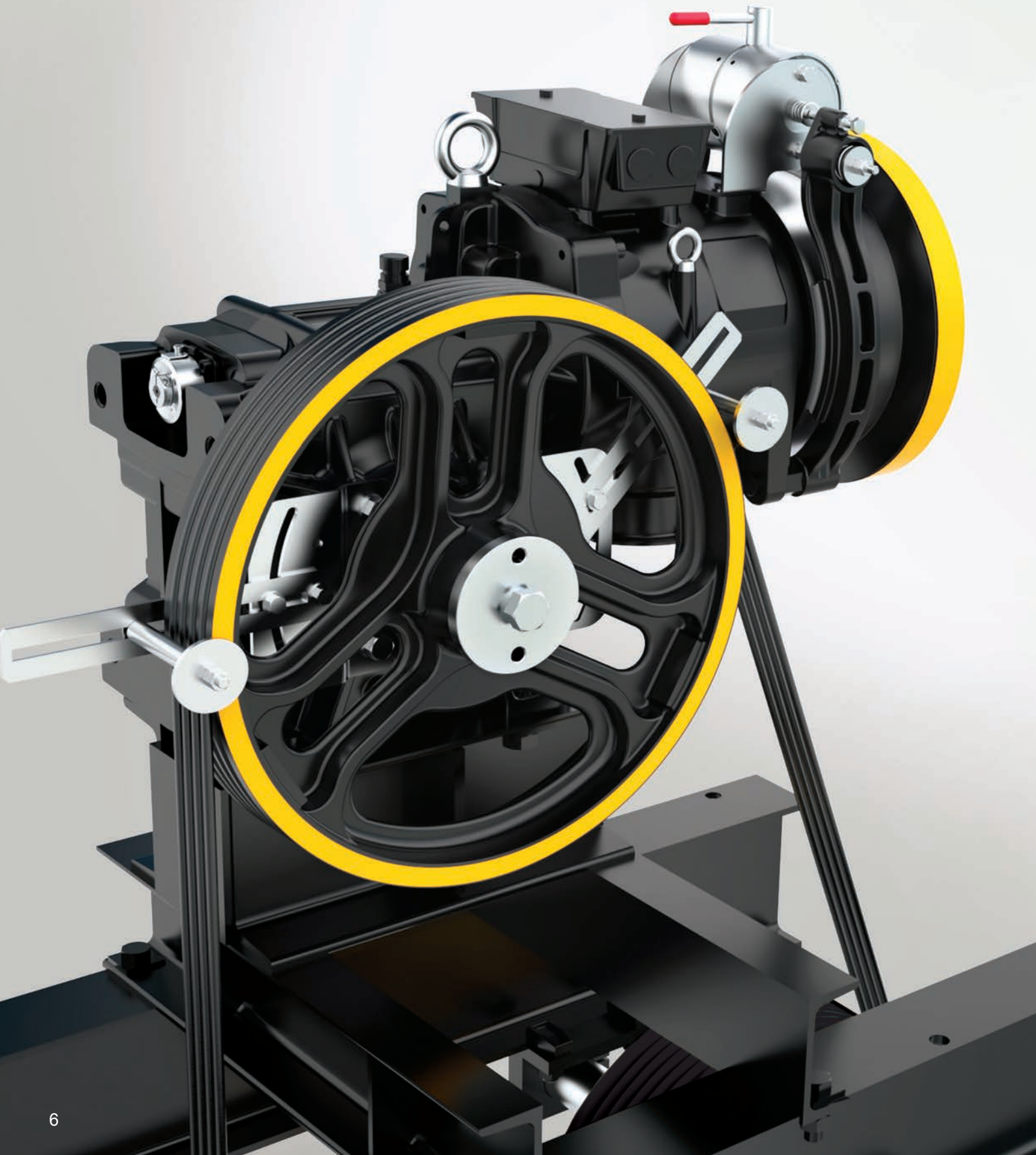


“GEARED SERIES”

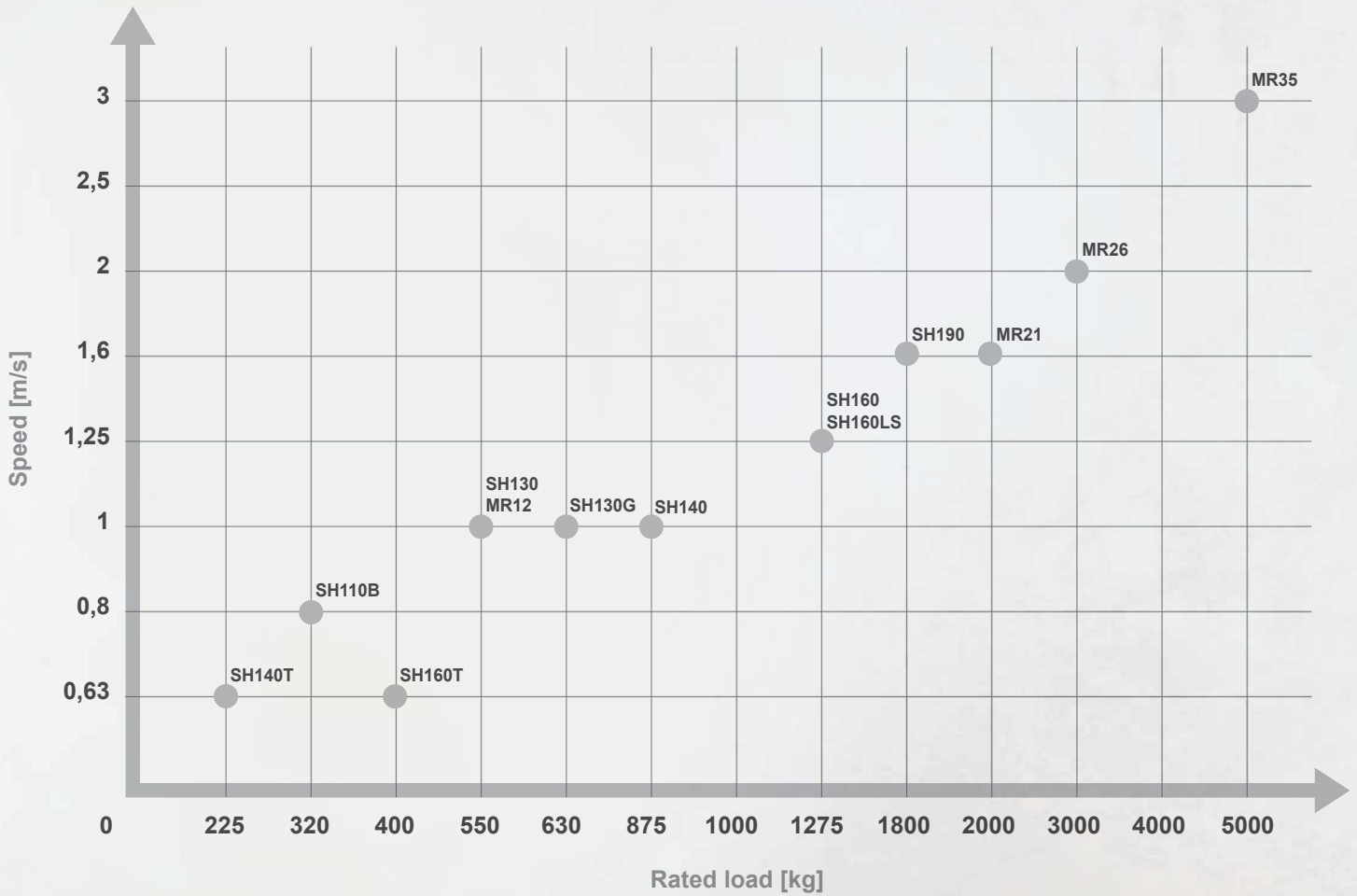
For lifting solutions

Performance	p.7
SH110B - MR12C	p.8
SH130 - SH130G	p.9
SH140 - SH160	p.11
SH190 - MR21	p.13
MR26 - MR35	p.14
SH140T - SH160T	p.15
Versions	p.18



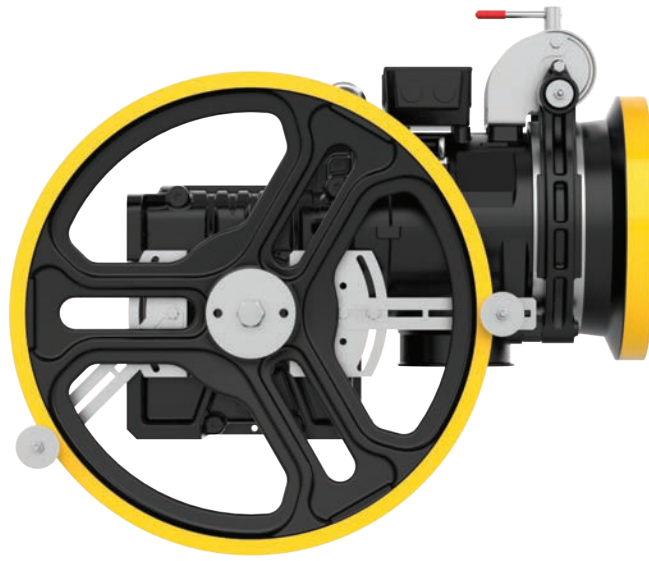


GEARED SERIES



The production range of Sicor geared machines covers rated loads up to 5.500kg in roping 1:1, speeds of up to 4m/s with traction sheaves from 320 to 885mm. Numerous special versions and options are available on request.

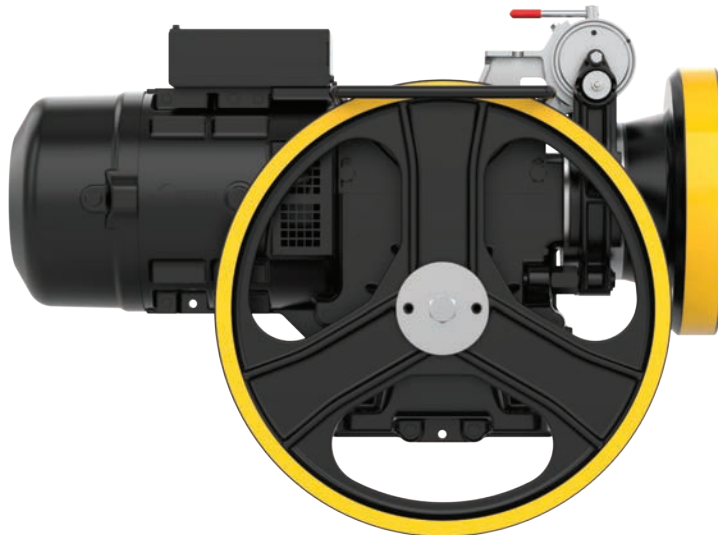




GEARED SH110B



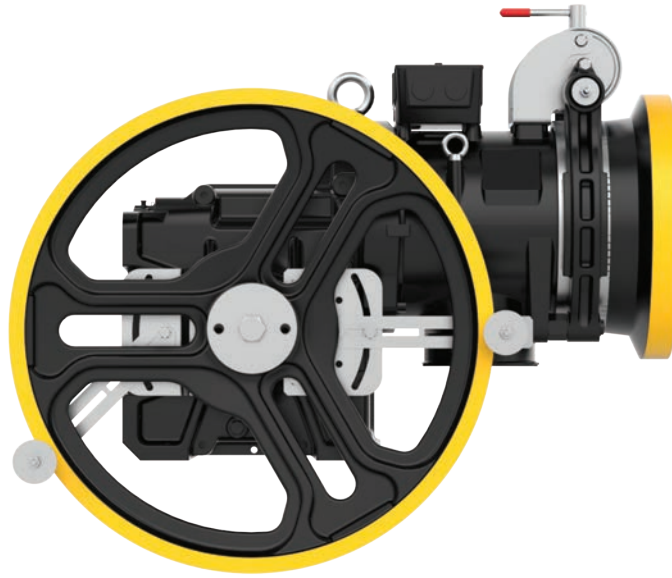
Max. Static Load	20,6 kN - 2100 kg
Maximum Weight	200 ÷ 210 kg
Ratio	1/55; 1/43; 2/55; 2/43
Oil capability	2,8 l
Power Range	50 Hz → 2,7 ÷ 5,5 kW - 60 HZ → 4 ÷ 6 kW



GEARED MR12C



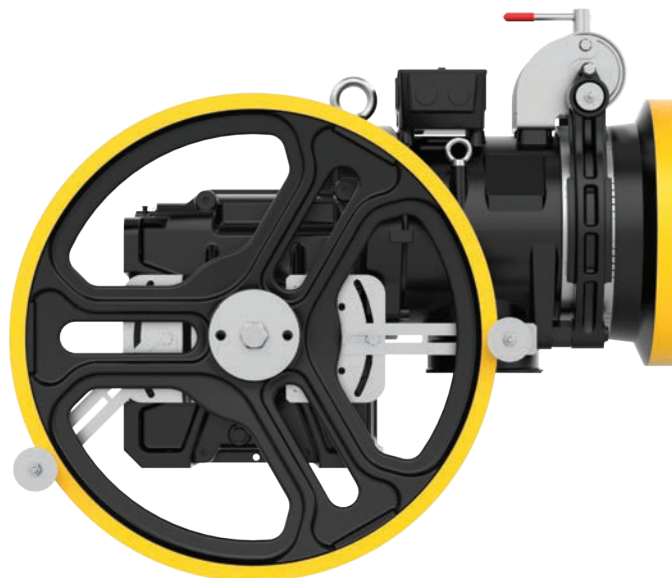
Max. Static Load	25,5 kN - 2600 kg
Maximum Weight	240 kg
Ratio	1/52; 1/45; 1/43; 2/53; 2/43
Oil capability	3,8 l
Power Range	50 Hz → 2,7 ÷ 5,5 kW - 60 Hz → 4 ÷ 6 kW



GEARED SH130



Max. Static Load	25,5 kN - 2600 kg
Maximum Weight	250 ÷ 260 kg
Ratio	1/52; 1/45; 1/43; 1/37; 2/53; 2/43; 3/47
Oil capability	3,7 l
Power Range	50 Hz → 2,7 ÷ 7,5 kW - 60 Hz → 4 ÷ 8,2 kW

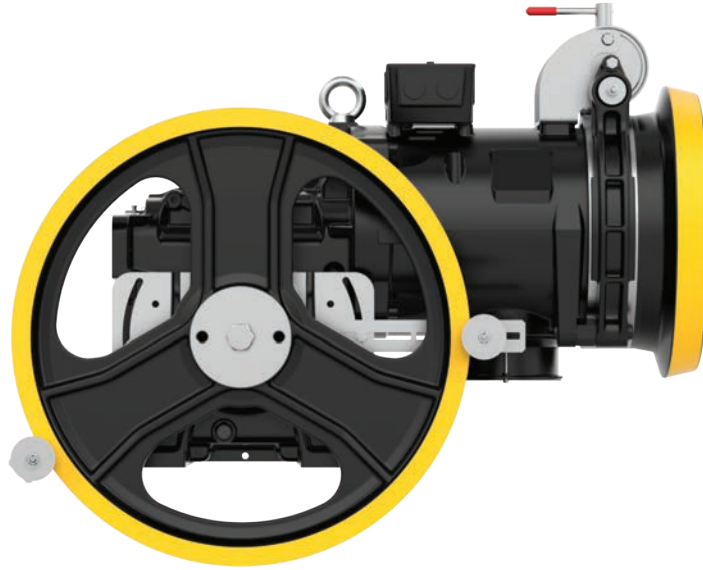


GEARED SH130G



Max. Static Load	28,5 kN - 2900 kg
Maximum Weight	250 kg
Ratio	1/52; 1/43; 1/37
Oil capability	4,2 l
Power Range	50 Hz → 5,5 ÷ 7,5 kW - 60 Hz → 6 ÷ 8,2 kW

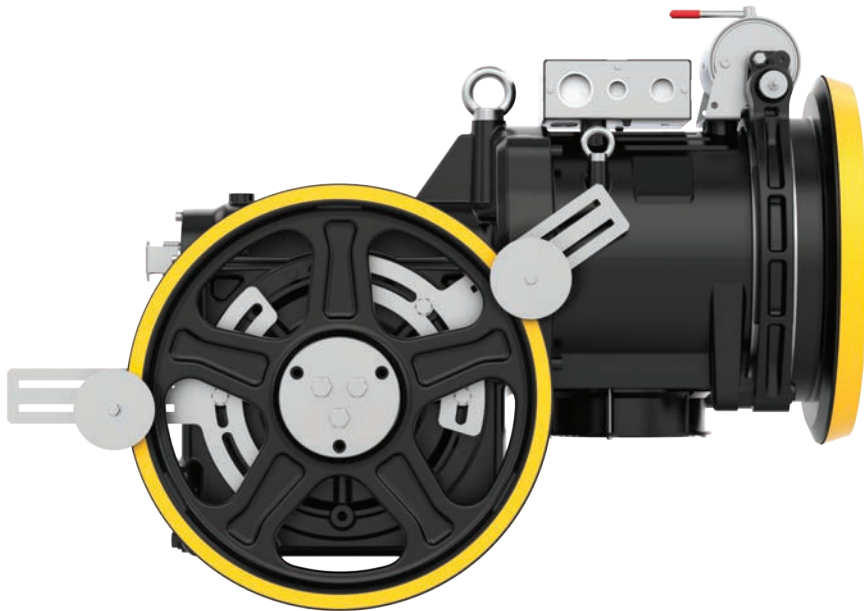




GEARED SH140



Max. Static Load	32,4 kN - 3300 kg
Maximum Weight	280 kg
Ratio	1/71; 1/59; 1/52; 1/45; 1/37; 2/71; 2/53; 3/47
Oil capability	3,6 l
Power Range	50 Hz → 2,6 ÷ 11 kW - 60 Hz → 4 ÷ 12 kW

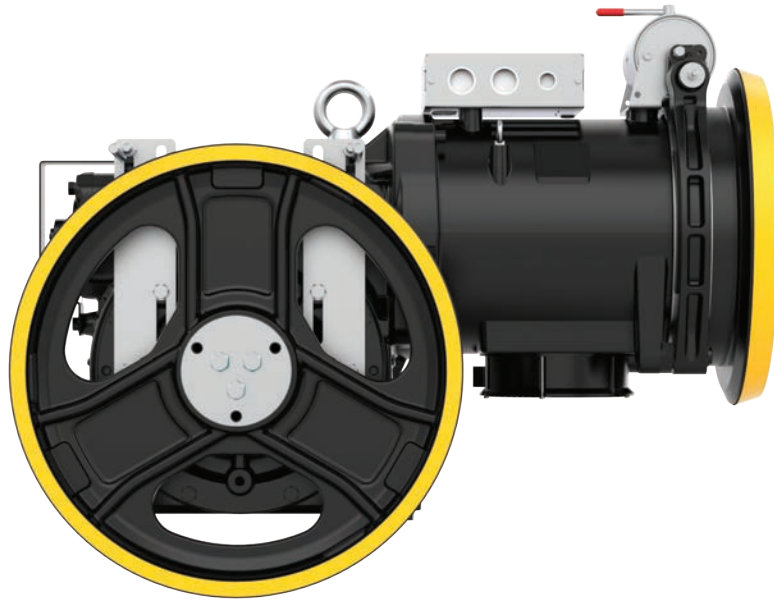


GEARED SH160



Max. Static Load	42,2 kN - 4300 kg
Maximum Weight	450 ÷ 470 kg
Ratio	1/55; 1/43; 1/35; 2/53; 2/43; 3/41
Oil capability	9 l
Power Range	50 Hz → 5,1 ÷ 20 kW - 60 Hz → 5,5 ÷ 18 kW

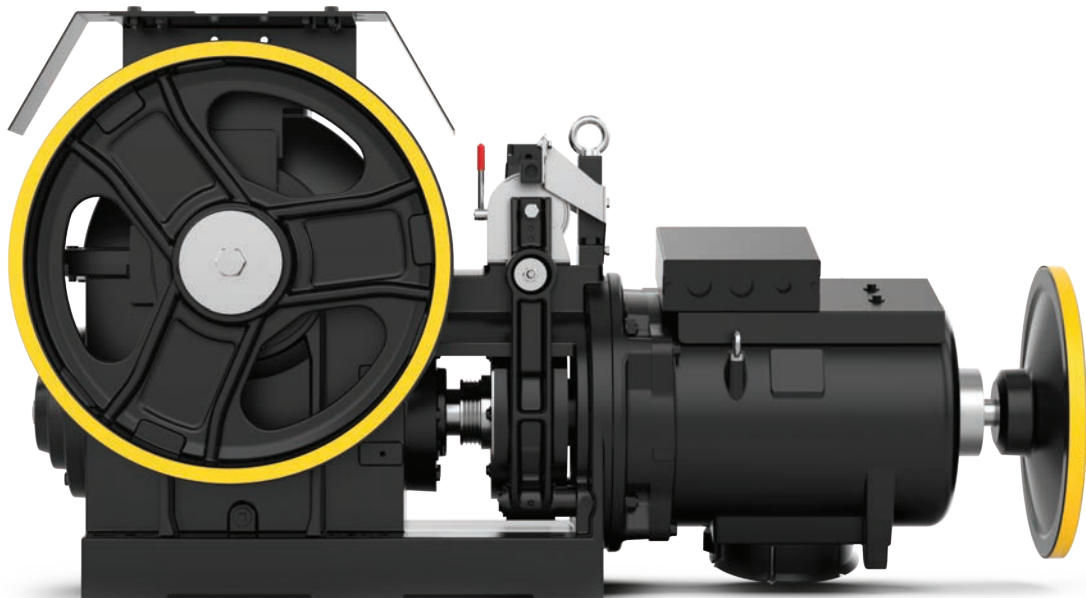




GEARED SH190



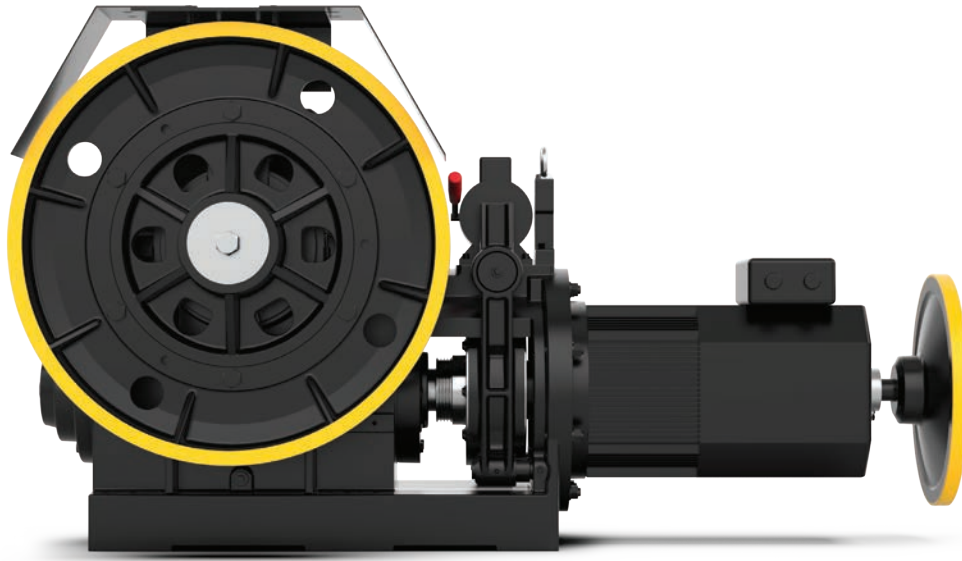
Max. Static Load	51 kN - 5200 kg
Maximum Weight	620 ÷ 645 kg
Ratio	1/40; 1/51; 1/62; 2/59; 3/47
Oil capability	11,5 l
Power Range	50 Hz → 4,2 ÷ 30 kW - 60 Hz → 4,7 ÷ 33 kW



GEARED MR21

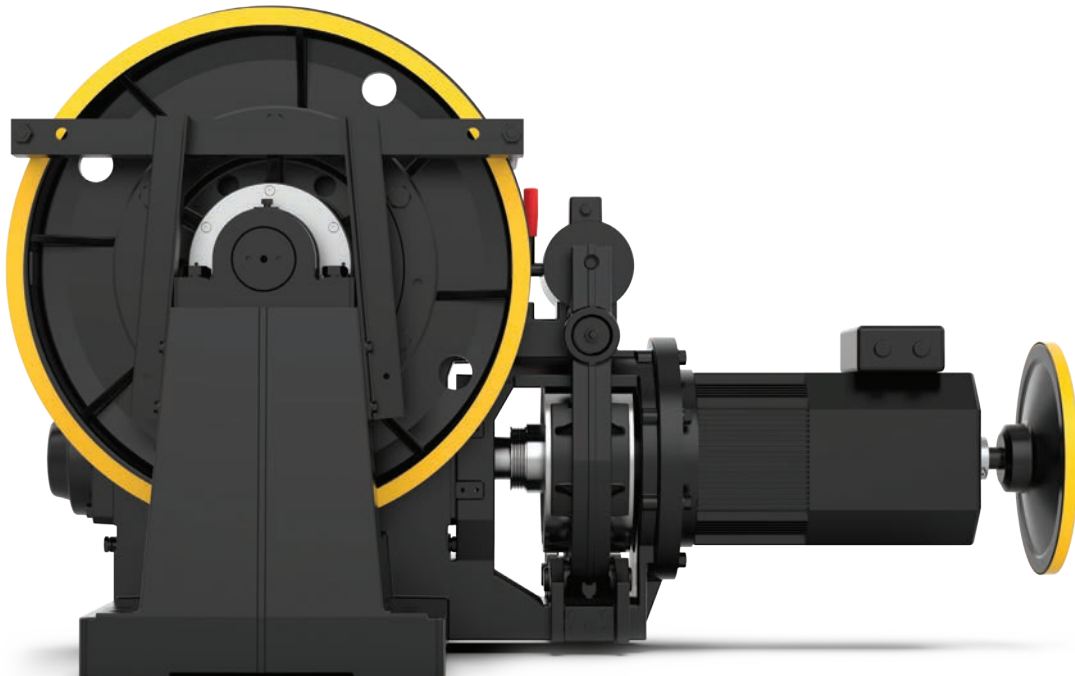


Max. Static Load	55 kN - 5600 kg - (versione TS → 72,6 kN - 7400 kg)
Maximum Weight	770 ÷ 1000 kg
Ratio	1/62; 1/51; 1/40; 2/63; 2/51; 3/47
Oil capability	7,8 l
Power Range	50 Hz → 7,5 ÷ 30 kW - 60 Hz → 8,2 ÷ 33 kW



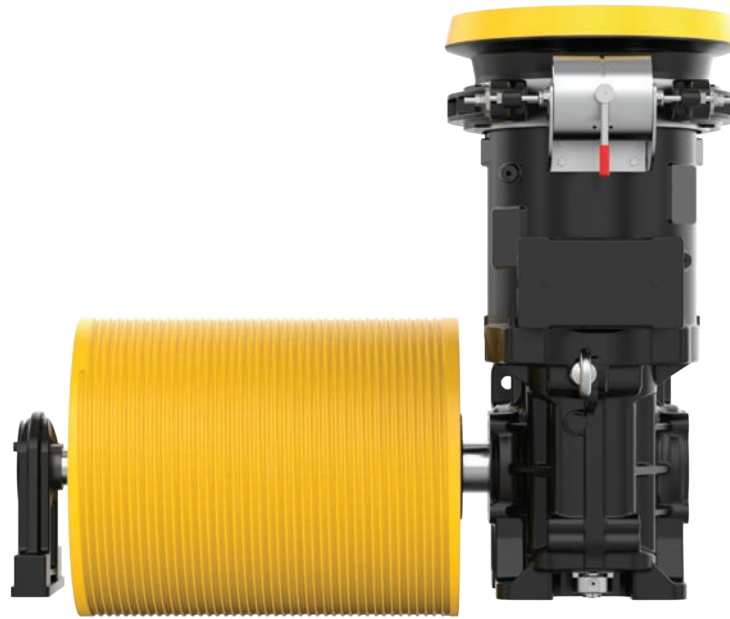
GEARED MR26

Max. Static Load	64,7 kN - 6600 kg - (versione TS → 80,2 kN - 8175 kg)
Maximum Weight	1200 ÷ 1600 kg
Ratio	1/72; 1/57; 1/44; 2/63; 2/45; 3/55
Oil capability	10,8 l
Power Range	50 Hz → 11 ÷ 43 kW - 60 Hz → 12 ÷ 47 kW - 33 Hz → 11 ÷ 29 kW



GEARED MR35

Max. Static Load	139,3 kN - 14200 kg
Maximum Weight	1600 ÷ 1900 kg
Ratio	1/58; 1/53; 2/73; 2/60; 3/70; 3/53
Oil capability	23,5 l
Power Range	50 Hz → 20 ÷ 90 kW - 60 Hz → 22 ÷ 100 kW - 33 Hz → 20 ÷ 36 kW



GEARED SH140T



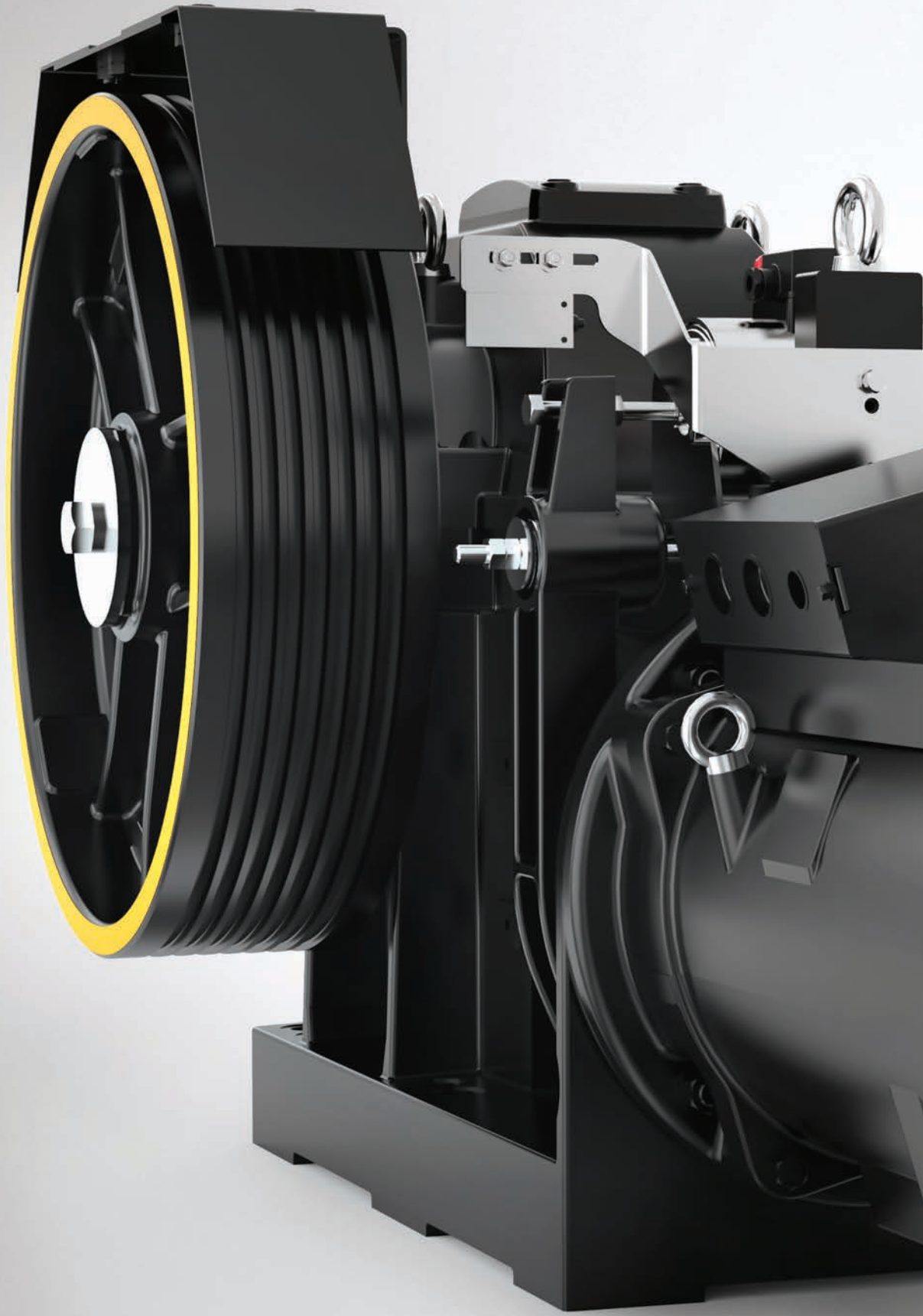
Maximum Weight	350 kg
Ratio	1/52
Oil capability	3,6 l
Power Range	50 Hz → 5,5 kW



GEARED SH160T



Maximum Weight	550 kg
Ratio	1/43
Oil capability	9 l
Power Range	50 Hz → 9 - 11 kW





Model	Power Range [50Hz] min - max	Power Range [60Hz] min - max	Max. Static Load	B	TS	LS	T
	[kW]	[kW]	[kN - kg]				
SH110B	2,7 ÷ 5,5	4 ÷ 6	20,6 - 2100	●	--	--	--
MR12	2,7 ÷ 5,5	4 ÷ 6	25,5 - 2600	--	--	--	--
SH130	2,7 ÷ 7,5	4 ÷ 8,2	25,5 - 2600	●	--	--	--
SH130G	5,5 ÷ 7,5	6 ÷ 8,2	28,5 - 2900	●	--	--	--
SH140	2,6 ÷ 12	3 ÷ 12	34,3 [TS] - 3500 [TS]	●	--	--	●
SH160	5,1 ÷ 20	5,5 ÷ 18	42,2 - 4300	●	--	●	●
SH190	4,2 ÷ 30	4,7 ÷ 33	58,9 [TS] - 6000 [TS]	●	--	--	○
MR21	7,5 ÷ 30	8,2 ÷ 33	72,6 [TS] - 7400 [TS]	●	●	--	--
MR26	11 ÷ 43	11 ÷ 47	80,2 [TS] - 8175 [TS]	●	●	--	--
MR35	20 ÷ 90	22 ÷ 100	139,3 - 14200	--	●	--	--

B Slow shaft brake

TS Third support

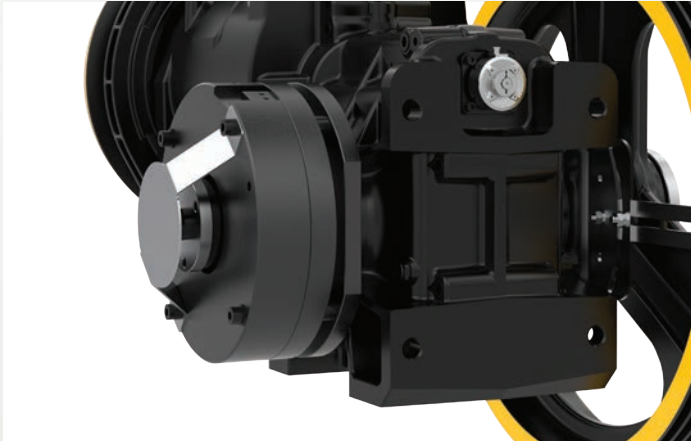
LS Long shaft

T Drum

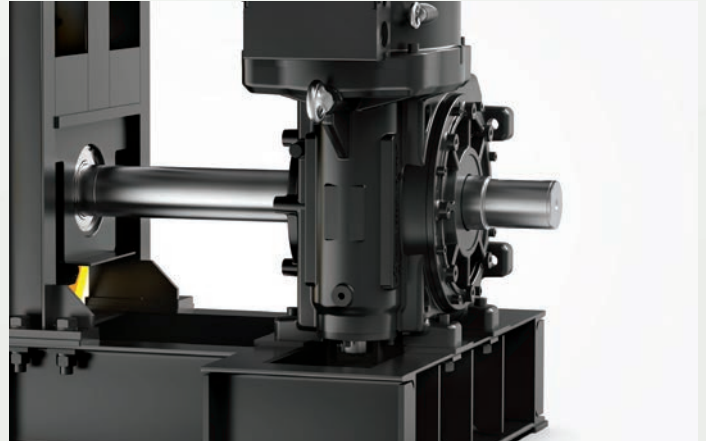
● Available

○ On request

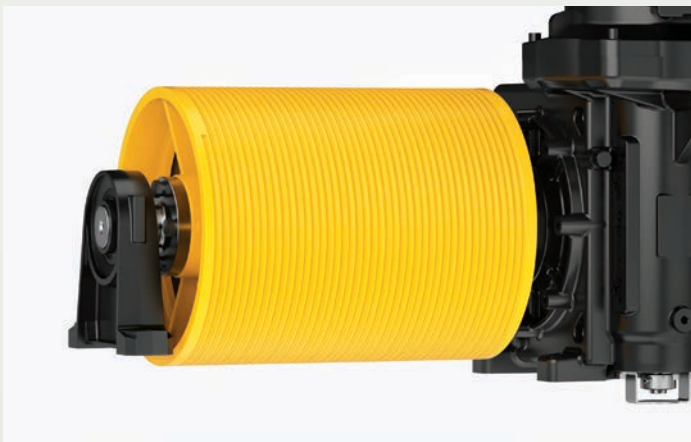
-- Not available



(B) SSB Brake



(LS) Extended shaft



(T) Drum





“ GEARLESS SERIES ”

SGS/SG

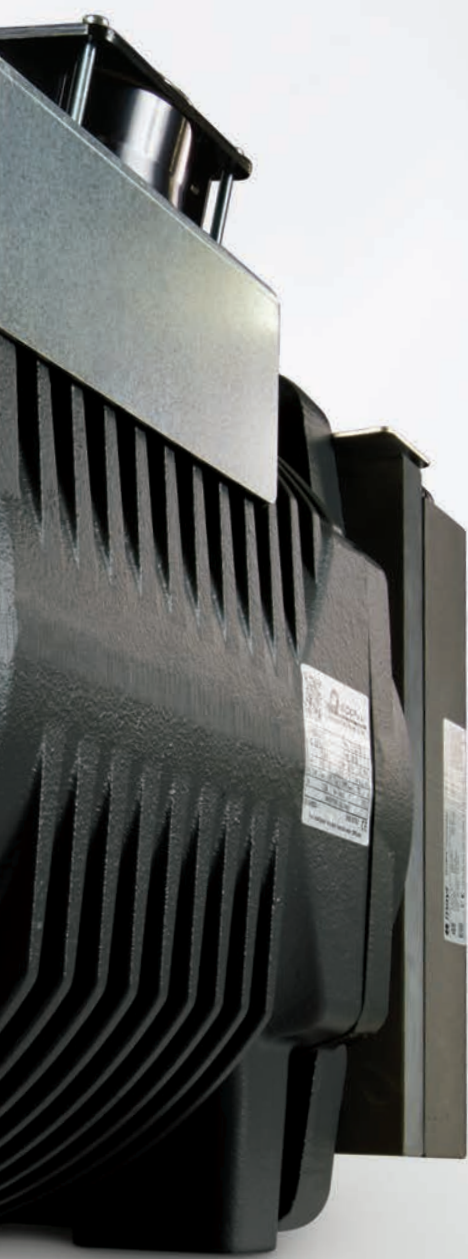
For conventional plants

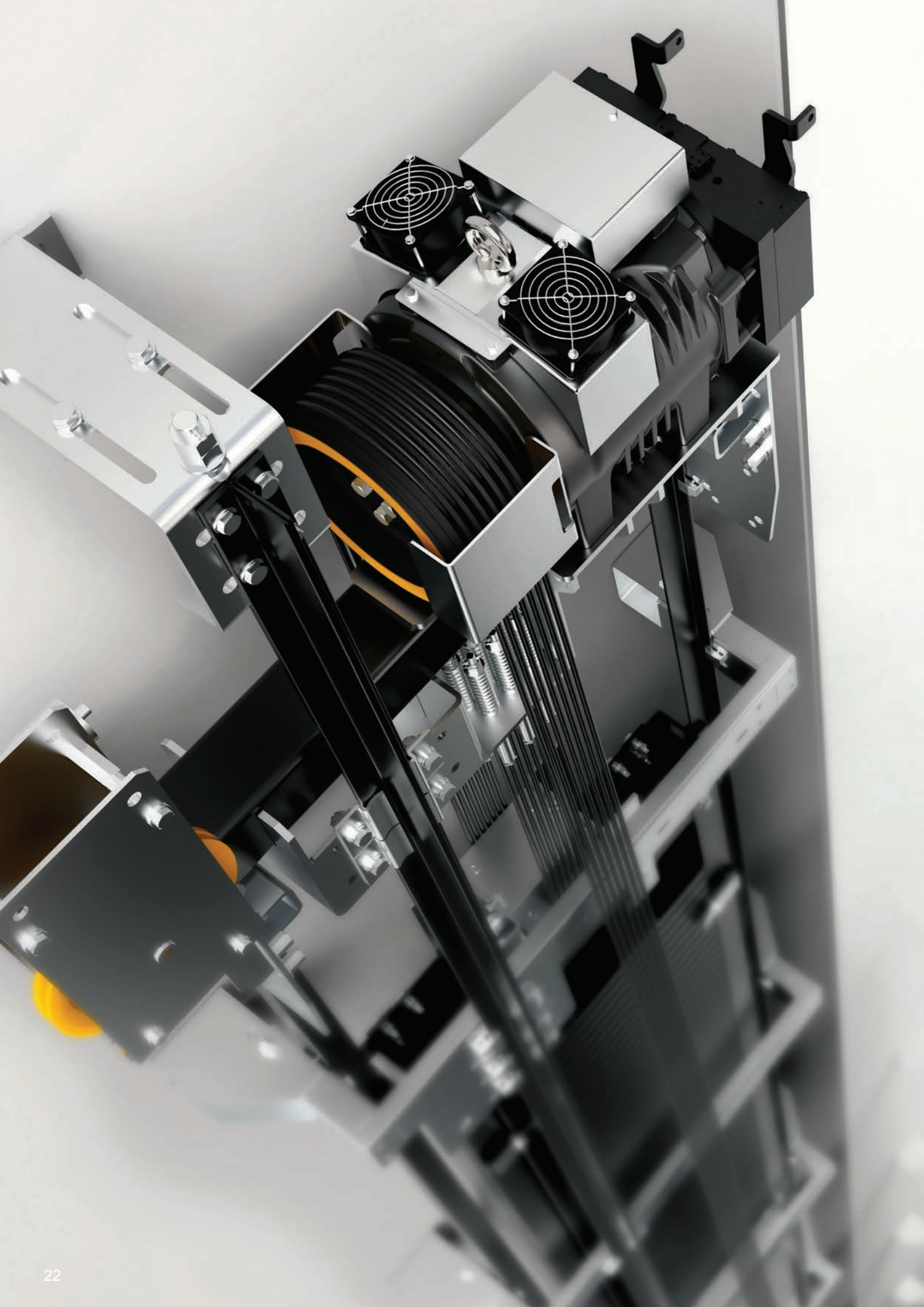
Performance	p.23
SGS4 - SGS6	p.24
SGS7 - SGS8	p.25
SGS9 - SG10	p.27
SG15/F - SG22/F	p.28
SG30/F - SG38/F	p.29
SG40HF - SG48/F/HF	p.30
SG53/F - SG58/F	p.31
SG62/F - SG70/F	p.32
SG75/F	p.33

SW-SWS

For pu-coated ropes

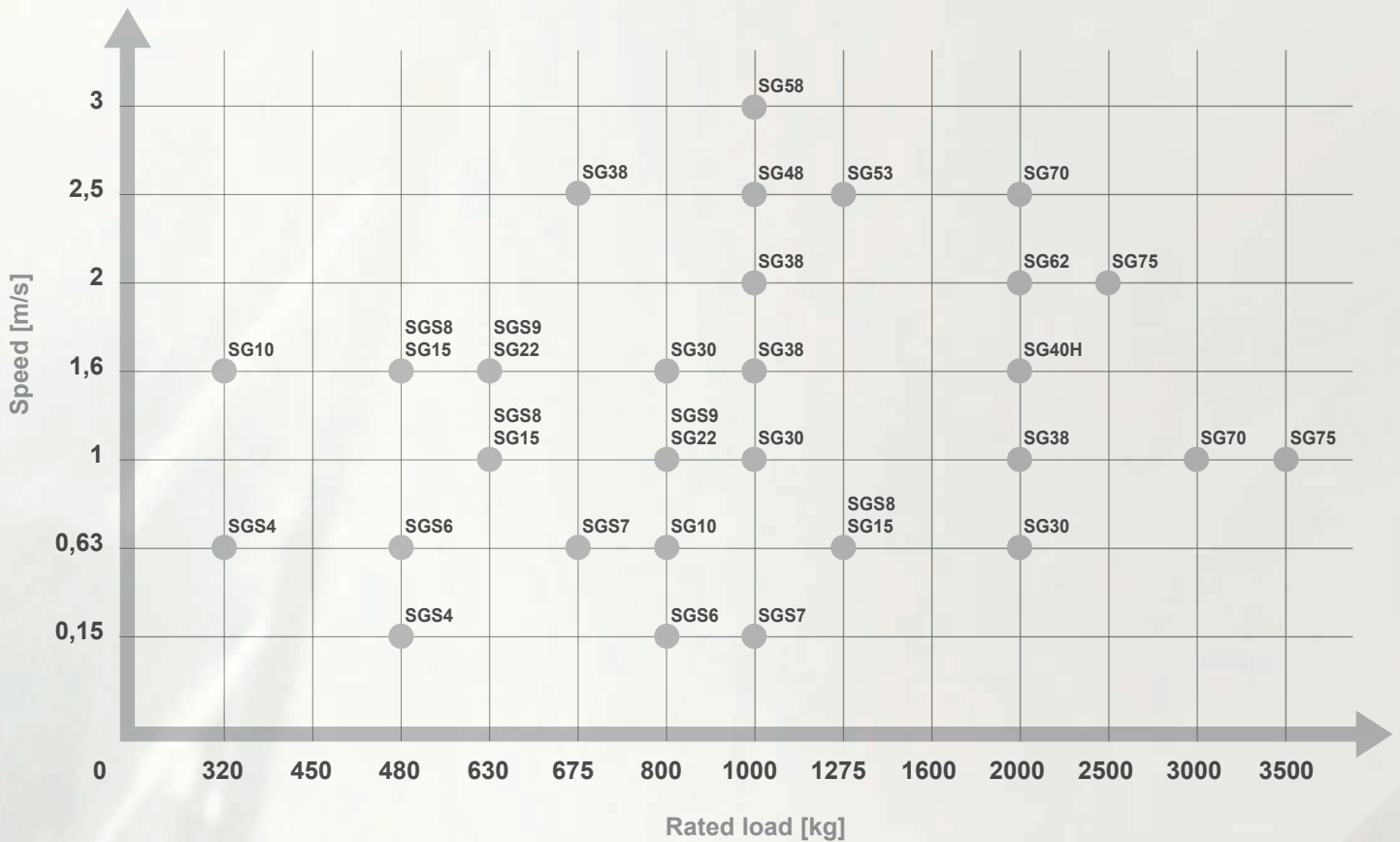
Performance	p.35
SW03 - SW05	p.36
SW07 - SWS3	p.37
SWS5 - SWS7	p.38





GEARLESS SERIES - SGS/SG

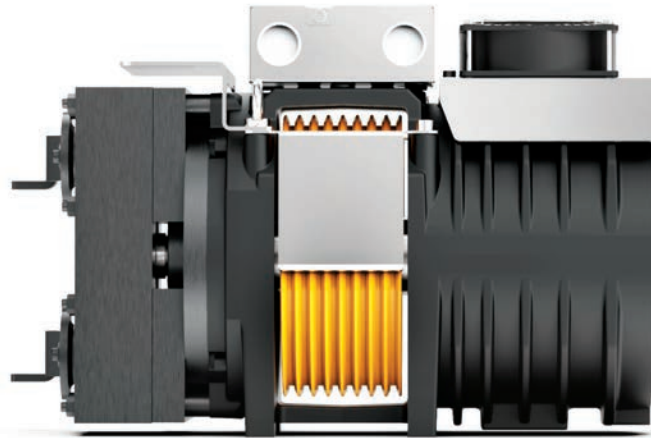
For conventional plants



The production range of Sicor gearless machines covers loads up to 3500 in roping 2:1, speeds of up to 4m/s (other speed on request) with traction sheaves from 120 to 600mm.

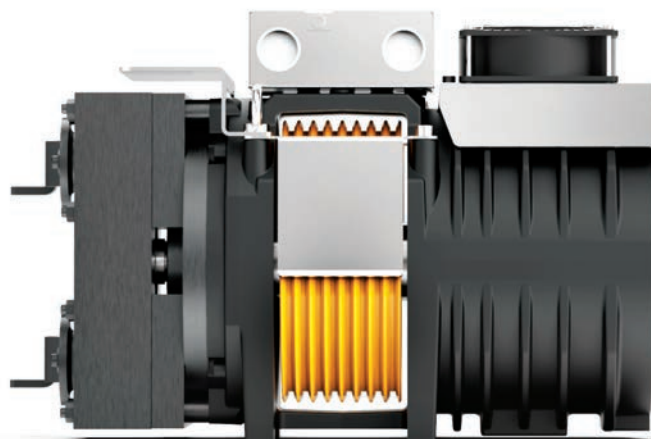
Since 2015, the gearless range has been implemented with central sheave machines to systems with cantilever arches, gauges guides and reduced headrooms.

Numerous special versions and options are available on request.



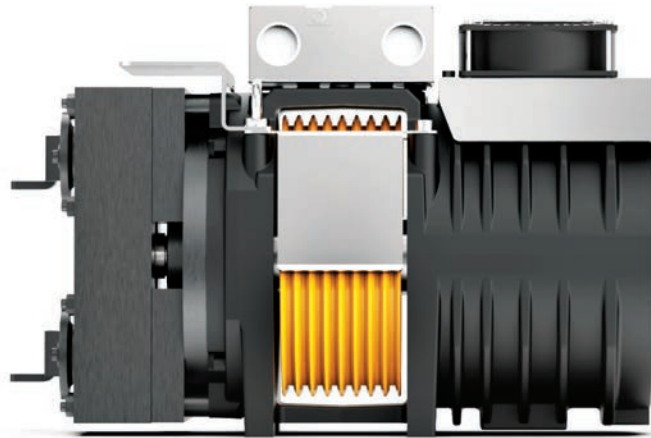
GEARLESS SGS4

Rated Torque	90 Nm (S3 40%)
Braking Torque	2x180 Nm
Power Range (min - max)	0,6 - 2,9 kW
Max. Static Load	19,6 kN - 2000 kg
Maximum Weight	95 kg
Motor Rated Voltage	360 V - 208 V



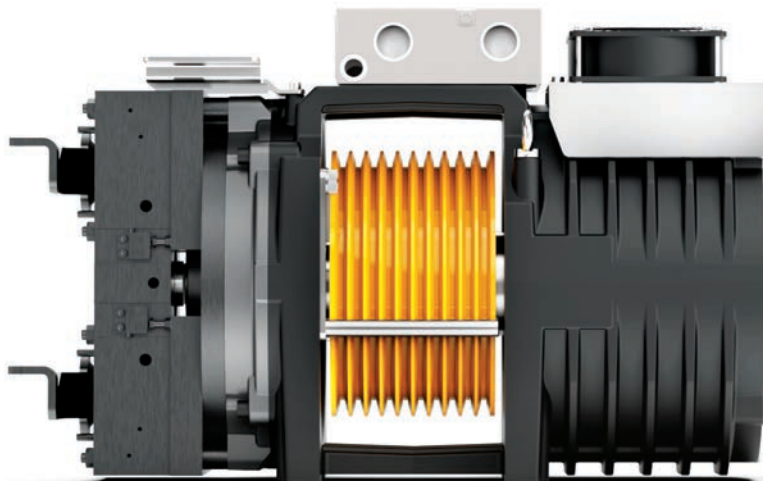
GEARLESS SGS6

Rated Torque	145 Nm (S3 40%)
Braking Torque	2x180 Nm
Power Range (min - max)	0,9 - 4,8 kW
Max. Static Load	19,6 kN - 2000 kg
Maximum Weight	100 kg
Motor Rated Voltage	360 V - 208 V



GEARLESS SGS7

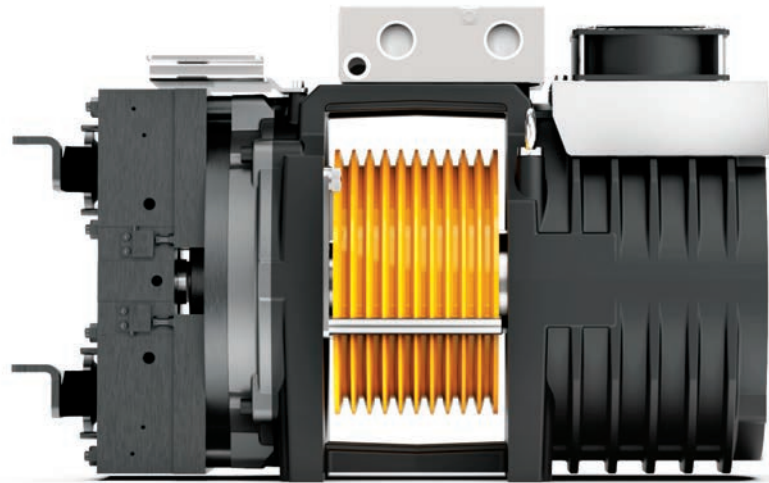
Rated Torque	160 Nm (S3 40%)
Braking Torque	2x180 Nm
Power Range (min - max)	1 - 5,4 kW
Max. Static Load	19,6 kN - 2000 kg
Maximum Weight	104 kg
Motor Rated Voltage	360 V - 208 V



GEARLESS SGS8

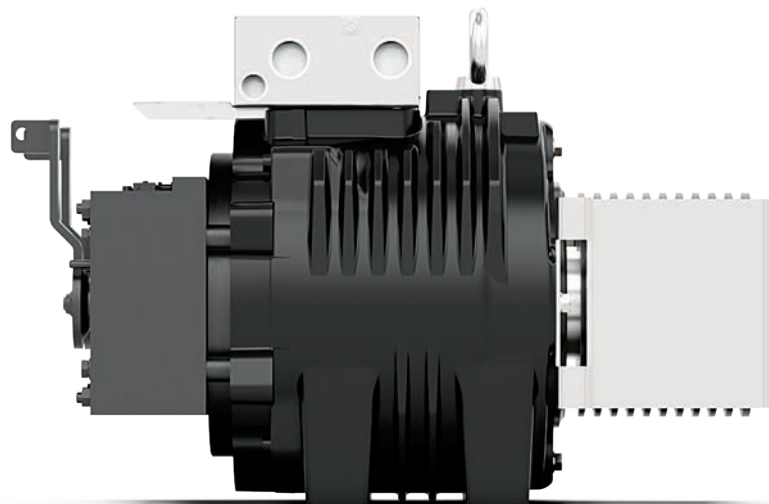
Rated Torque	245 Nm (S3 40%)
Braking Torque	2x280 Nm
Power Range (min - max)	3,1 - 7,4 kW
Max. Static Load	29,4 kN - 3000 kg
Maximum Weight	138 kg
Motor Rated Voltage	360 V - 208 V





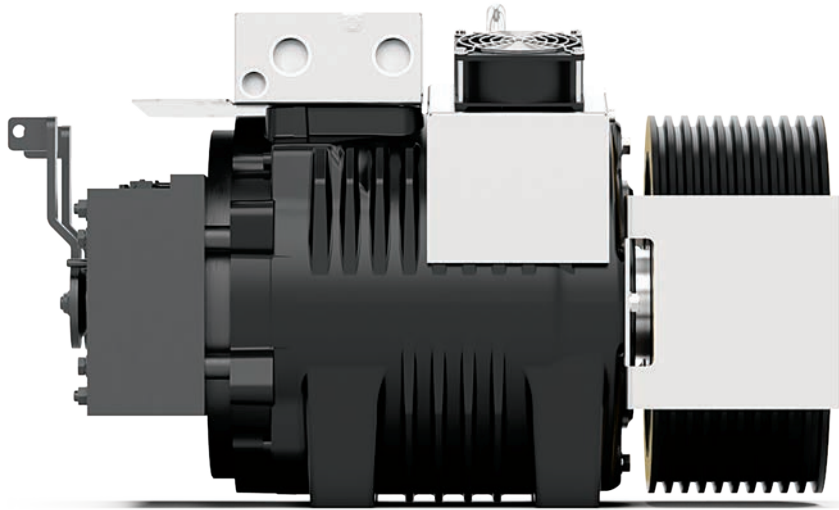
GEARLESS SGS9

Rated Torque	290 Nm (S3 40%)
Braking Torque	2x280 Nm
Power Range (min - max)	3,6 - 8,8 kW
Max. Static Load	29,4 kN - 3000 kg
Maximum Weight	142 kg
Motor Rated Voltage	360 V - 208 V



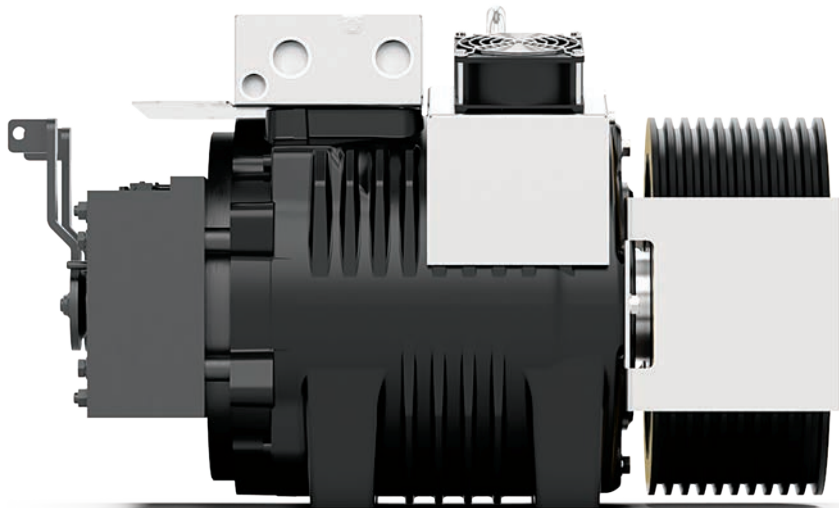
GEARLESS SG10

Rated Torque	165 Nm (S3 40%)
Braking Torque	2x180 Nm
Power Range (min - max)	2,1 - 5 kW
Max. Static Load	22,6 kN - 2300 kg
Maximum Weight	142 kg
Motor Rated Voltage	360 V - 208 V



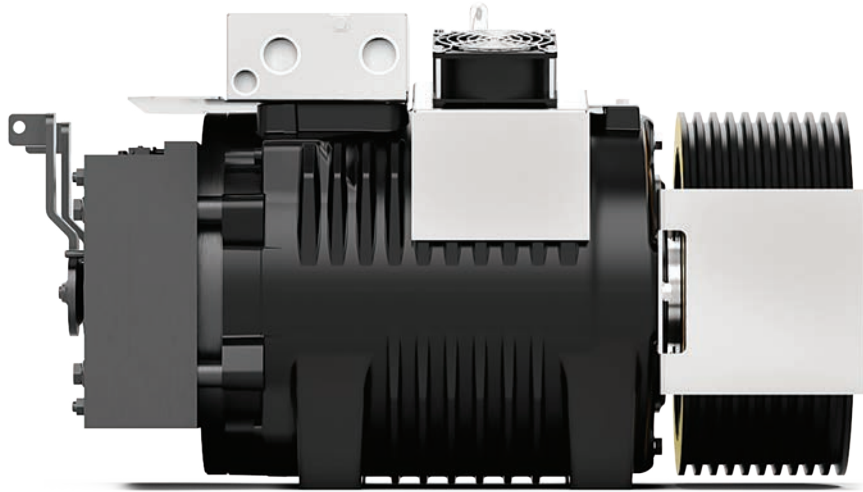
GEARLESS SG15/F

Rated Torque	245 Nm SG15F (S3 40%)
Braking Torque	2x280 Nm
Power Range (min - max)	2,5 - 7,4 kW
Max. Static Load	27,5 kN - 2800 kg
Maximum Weight	155 kg
Motor Rated Voltage	360 V - 208 V



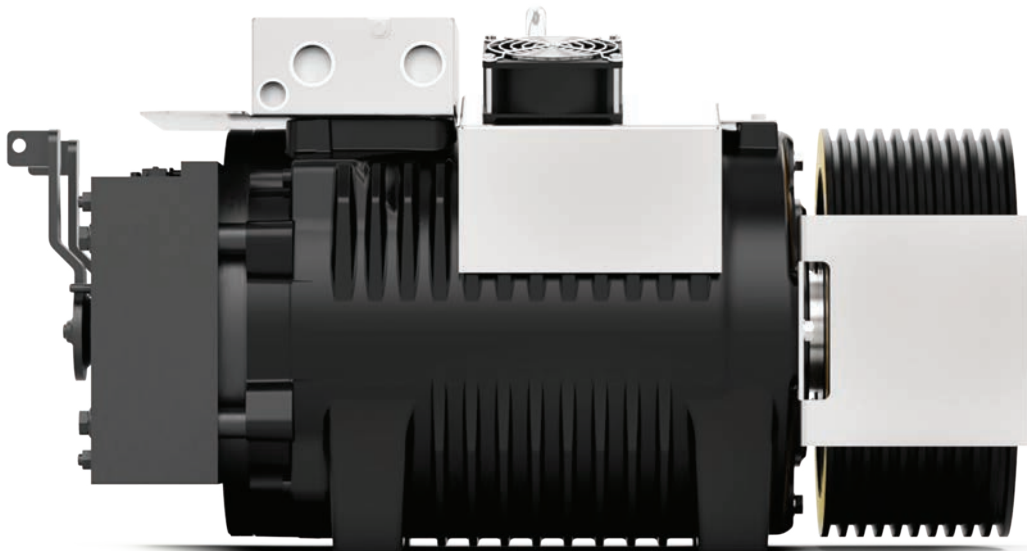
GEARLESS SG22/F

Rated Torque	290 Nm SG22F (S3 40%)
Braking Torque	2x280 Nm
Power Range (min - max)	3,1 - 8,8 kW
Max. Static Load	27,5 kN - 2800 kg
Maximum Weight	163 kg
Motor Rated Voltage	360 V - 208 V



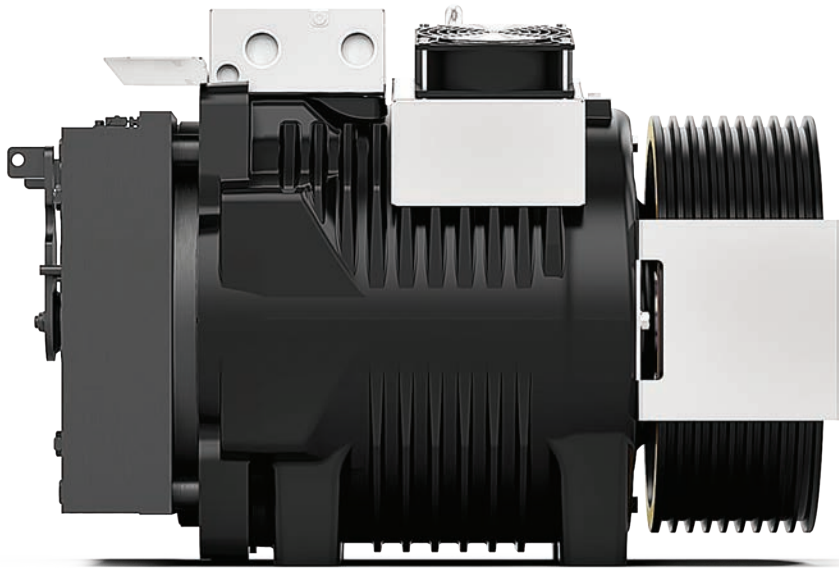
GEARLESS SG30/F

Rated Torque	395 Nm SG30F (S3 40%)
Braking Torque	2x410 Nm
Power Range (min - max)	4,1 - 13,9 kW
Max. Static Load	34,3 kN - 3500 kg
Maximum Weight	193 kg
Motor Rated Voltage	360 V - 208 V



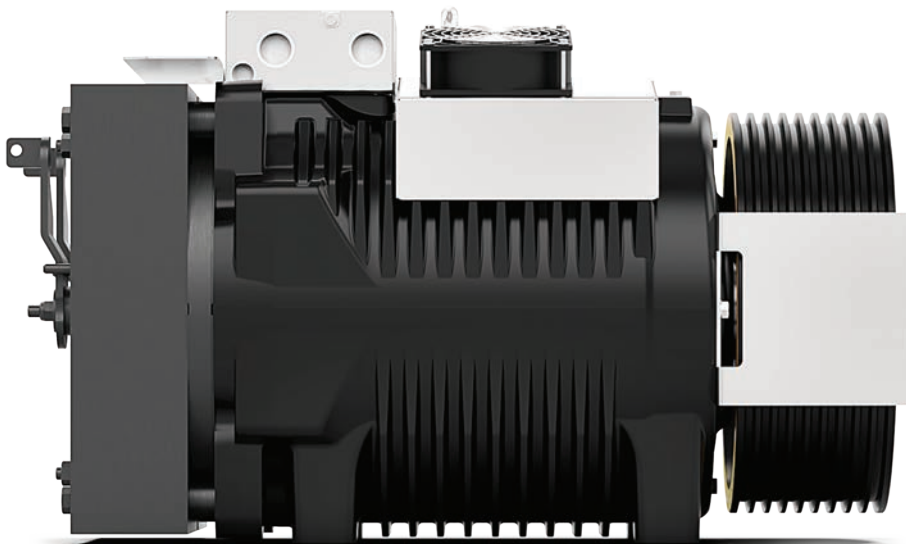
GEARLESS SG38/F

Rated Torque	490 Nm SG38F (S3 40%)
Braking Torque	2x410 Nm
Power Range (min - max)	5,2 - 19,5 kW
Max. Static Load	34,3 kN - 3500 kg
Maximum Weight	226 kg
Motor Rated Voltage	360 V - 208 V



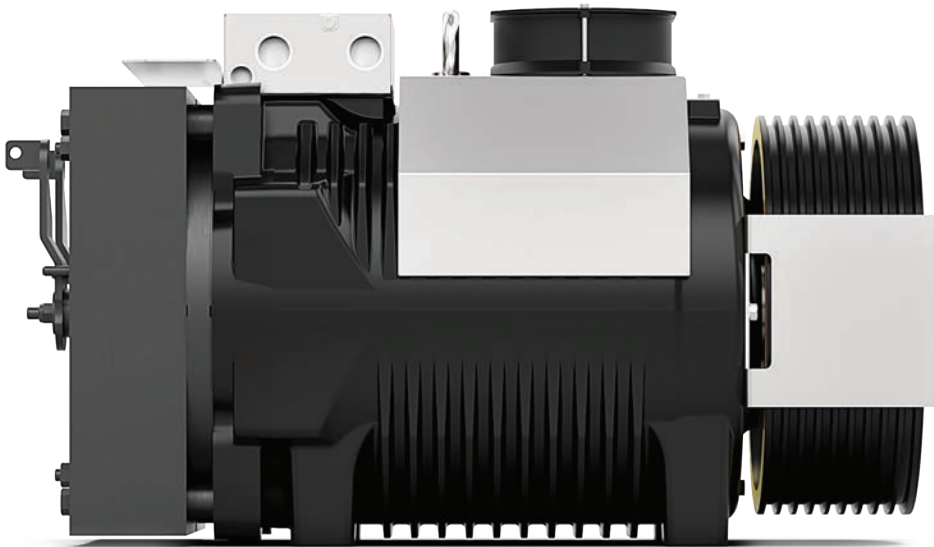
GEARLESS SG40HF

Rated Torque	550 Nm (S3 40%)
Braking Torque	2x600Nm
Power Range (min - max)	6,1 - 19,5 kW
Max. Static Load	34,3 kN - 3500 kg
Maximum Weight	258 kg
Motor Rated Voltage	360 V - 208 V



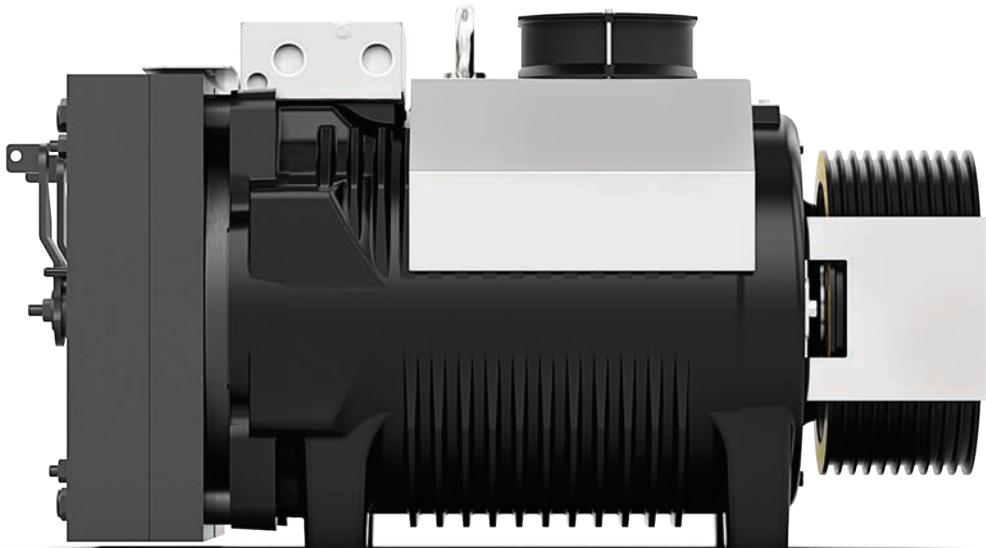
GEARLESS SG48/F/HF

Rated Torque	720 Nm SG48F (S3 40%)
Braking Torque	2x600 Nm (F) 2x850 Nm (HF)
Power Range (min - max)	4,1 - 23,4 kW
Max. Static Load	34,3 kN - 3500 kg
Maximum Weight	310 kg (F) 350 kg (HF)
Motor Rated Voltage	360 V - 208 V



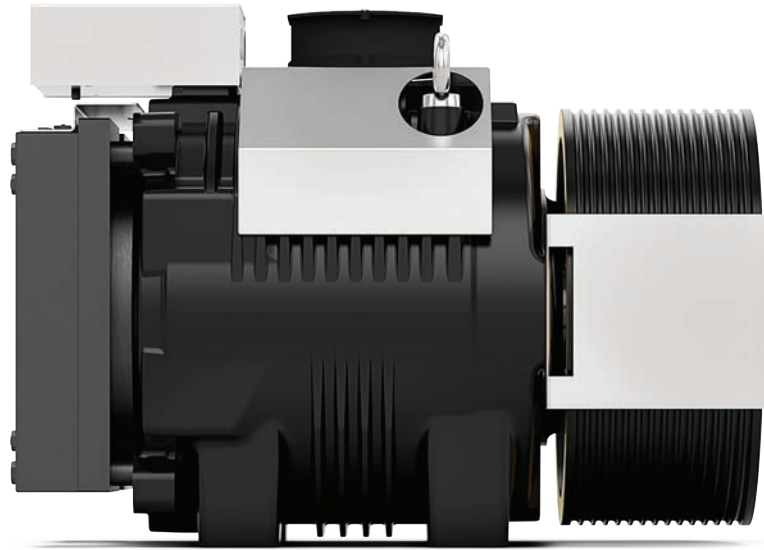
GEARLESS SG53/F

Rated Torque	900 Nm SG53F (S3 40%)
Braking Torque	2x850 Nm
Power Range (min - max)	5,1 - 29,2 kW
Max. Static Load	39,2 kN - 4000 kg
Maximum Weight	382 kg
Motor Rated Voltage	360 V



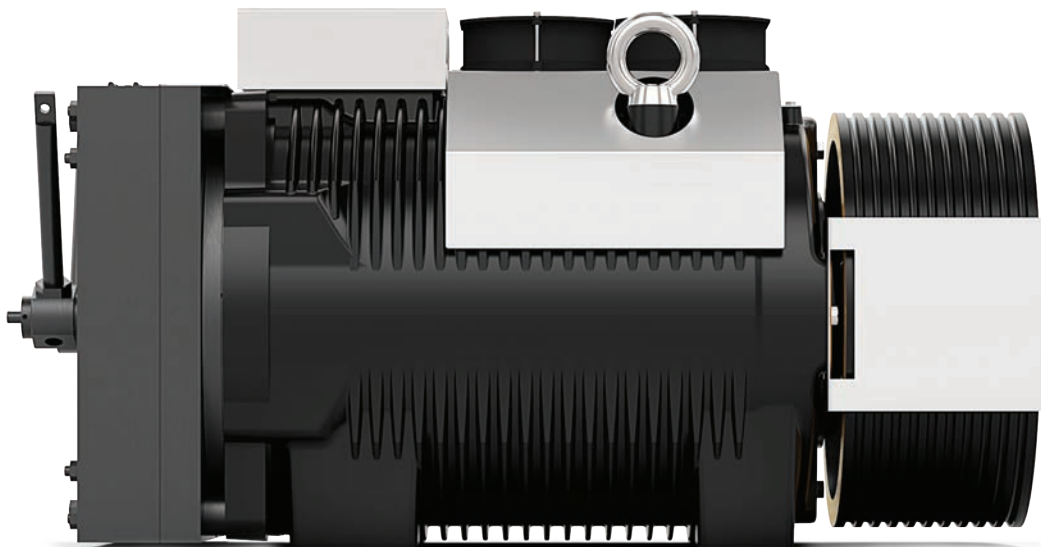
GEARLESS SG58/F

Rated Torque	1065 Nm SG58F (S3 40%)
Braking Torque	2x1200 Nm
Power Range (min - max)	6 - 34,6 kW
Max. Static Load	39,2 kN - 4000 kg
Maximum Weight	460 kg
Motor Rated Voltage	360 V



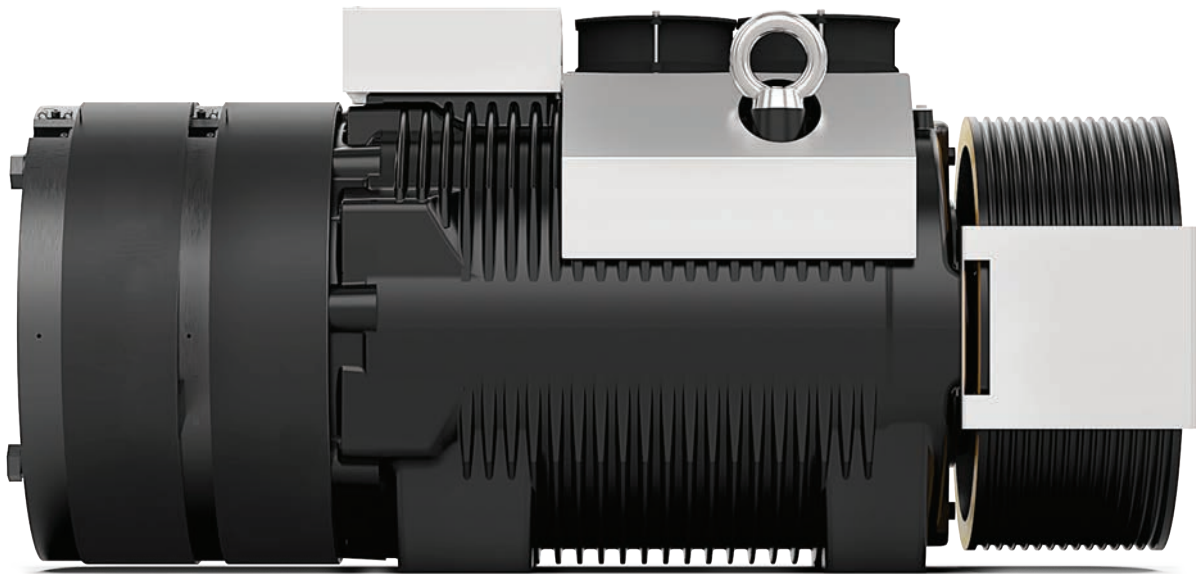
GEARLESS SG62/F

Rated Torque	1310 Nm SG62F (S3 40%)
Braking Torque	2x1200 Nm
Power Range (min - max)	5,5 - 32,9 kW
Max. Static Load	54 kN - 5500 kg
Maximum Weight	520 kg
Motor Rated Voltage	360 V



GEARLESS SG70/F

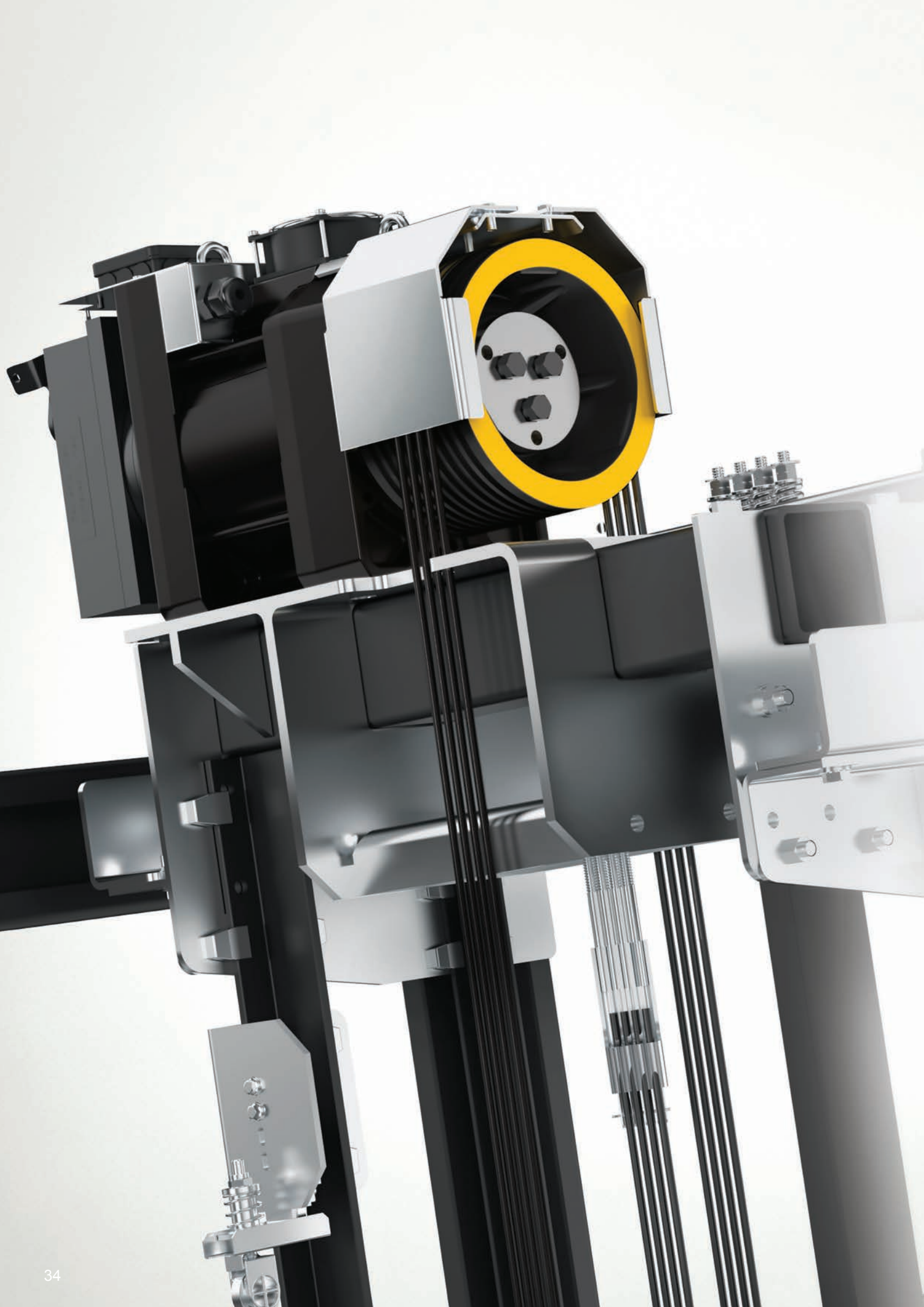
Rated Torque	1960 Nm SG70F (S3 40%)
Braking Torque	2x2200 Nm
Power Range (min - max)	8,2 - 49,3 kW
Max. Static Load	58,9 kN - 6000 kg
Maximum Weight	713 kg
Motor Rated Voltage	360 V



GEARLESS SG75/F

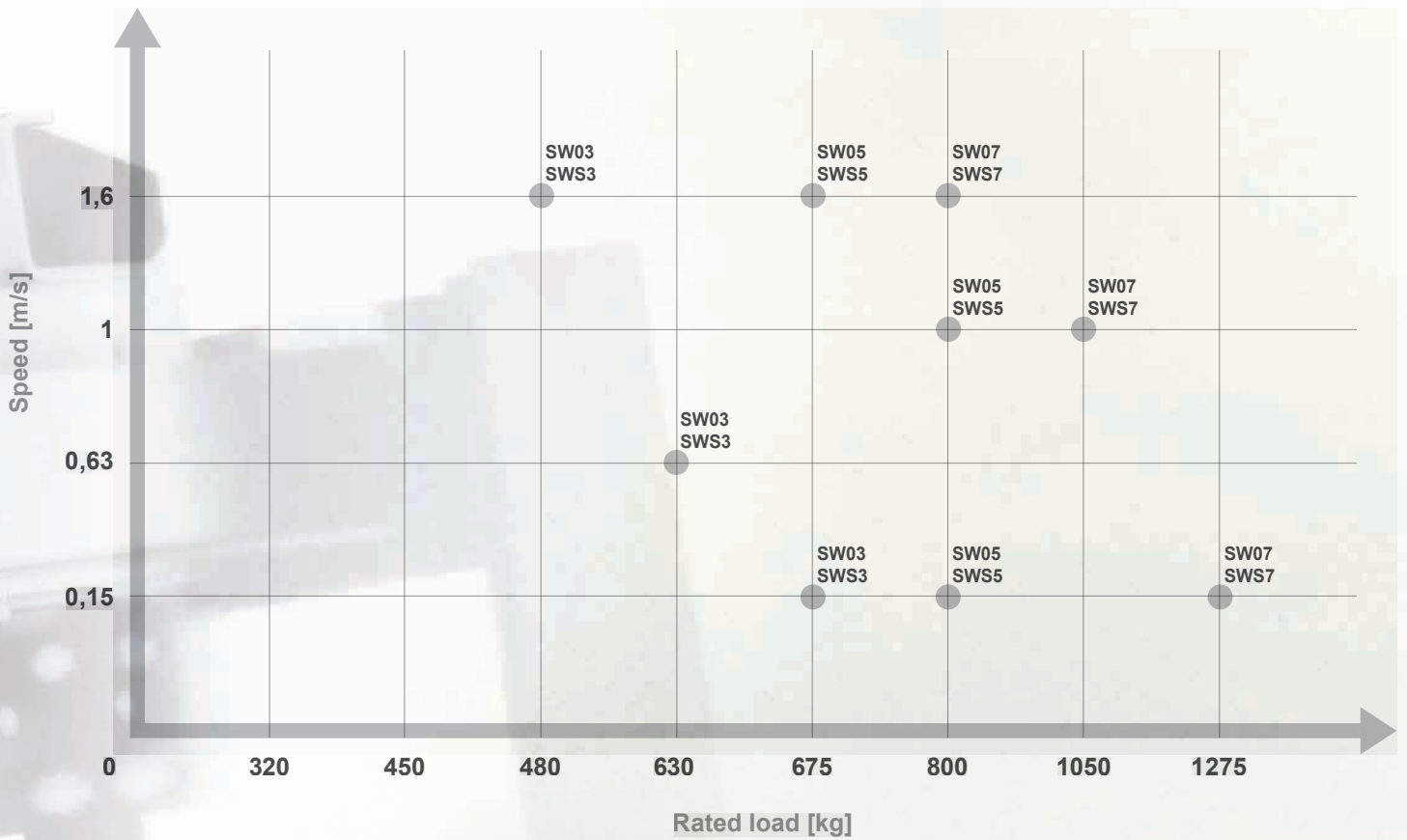
Rated Torque	2350 Nm SG75F (S3 40%)
Braking Torque	2x2800 Nm
Power Range (min - max)	9,8 - 59,1 kW
Max. Static Load	78,5 kN - 8000 kg
Maximum Weight	888 kg
Motor Rated Voltage	360 V





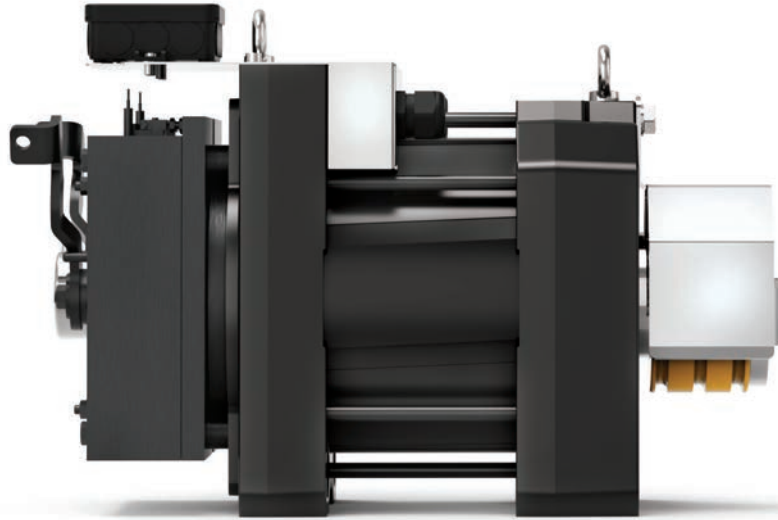
GEARLESS SERIES - SW-SWS

For pu-coated ropes



Sicor gearless series covers payloads up to 4000kg in 2:1 roping, speed up to 4m/s (other speeds upon request) with traction sheaves diameter from 120 to 600mm. Since 2015 the gearless series has been extended with machines with central traction sheave designed for cantilever cars, narrow gauge and small headroom.

Several special executions and options are available on request.



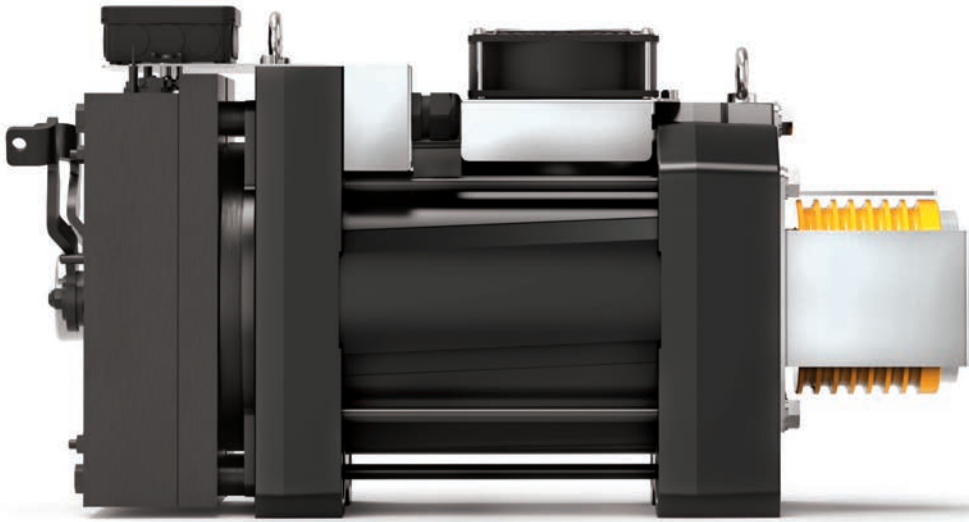
GEARLESS SW03

Rated Torque	120 Nm (S3 40%)
Braking Torque	2x180 Nm
Power Range (min - max)	0,8 - 6,4 kW
Max. Static Load	23,5 kN - 2400 kg
Maximum Weight	121 kg
Motor Rated Voltage	360 V - 208 V



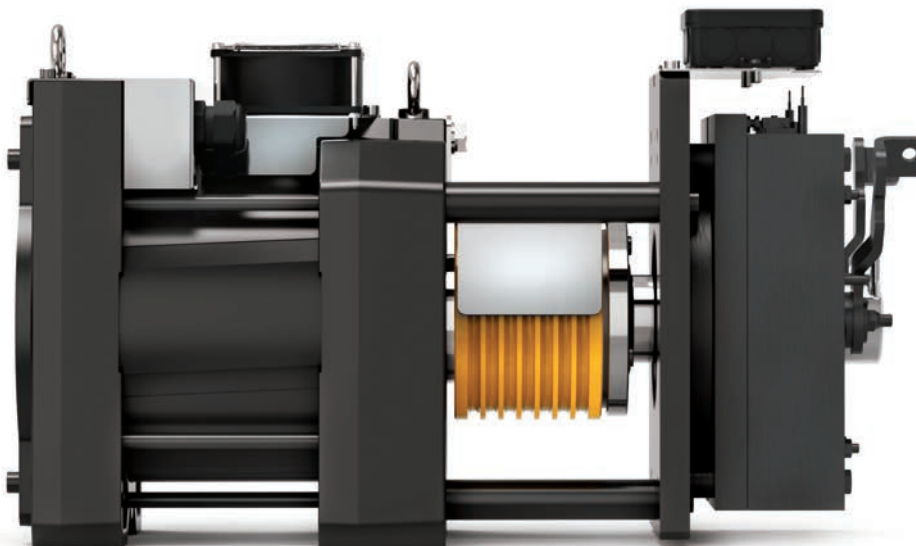
GEARLESS SW05

Rated Torque	160 Nm (S3 40%)
Braking Torque	2x180 Nm
Power Range (min - max)	1,0 - 8,5 kW
Max. Static Load	29,4 kN - 3000 kg
Maximum Weight	129 kg
Motor Rated Voltage	360 V - 208 V



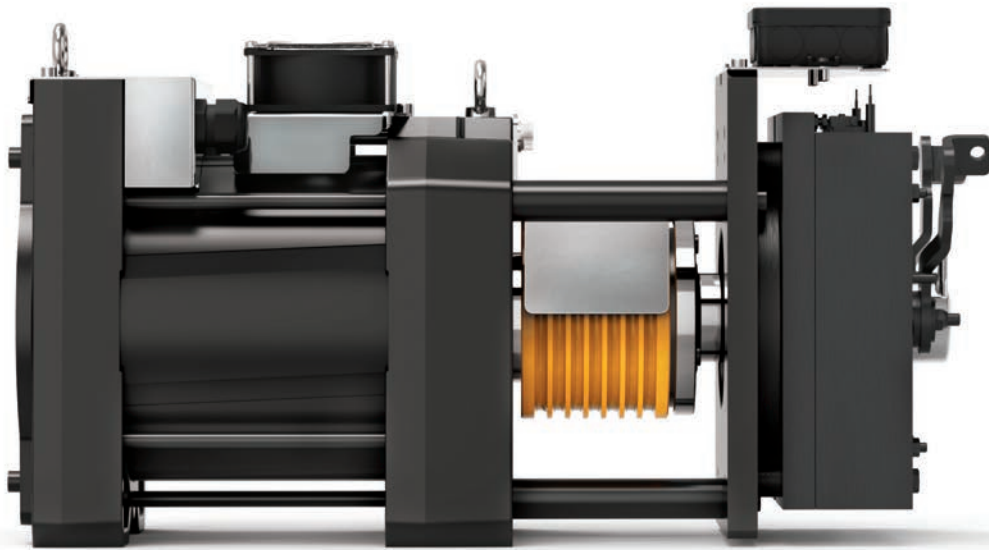
GEARLESS SW07

Rated Torque	200 Nm (S3 40%)
Braking Torque	2x220 Nm
Power Range (min - max)	1,3 - 10,7 kW
Max. Static Load	29,4 kN - 3000 kg
Maximum Weight	143 kg
Motor Rated Voltage	360 V - 208 V



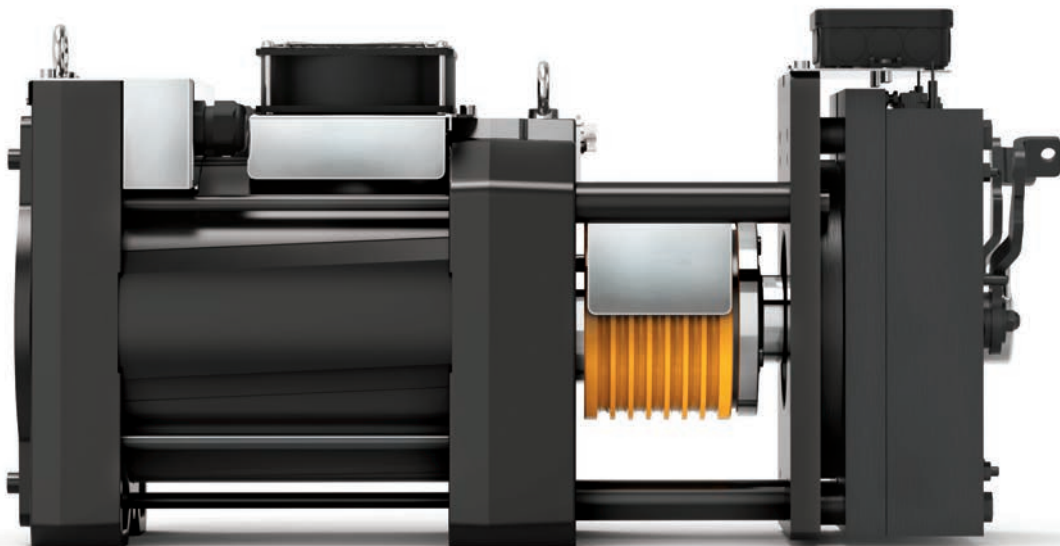
GEARLESS SWS3

Rated Torque	120 Nm (S3 40%)
Braking Torque	2x180 Nm
Power Range (min - max)	0,8 - 6,4 kW
Max. Static Load	23,5 kN - 2400 kg
Maximum Weight	119 kg
Motor Rated Voltage	360 V - 208 V



GEARLESS SWS5

Rated Torque	160 Nm (S3 40%)
Braking Torque	2x180 Nm
Power Range (min - max)	1,0 - 8,5 kW
Max. Static Load	29,4 kN - 3000 kg
Maximum Weight	127 kg
Motor Rated Voltage	360 V - 208 V



GEARLESS SWS7

Rated Torque	200 Nm (S3 40%)
Braking Torque	2x220 Nm
Power Range (min - max)	1,3 - 10,7 kW
Max. Static Load	29,4 kN - 3000 kg
Maximum Weight	141 kg
Motor Rated Voltage	360 V - 208 V





Sicor S.R.L.

Viale Caproni, 32 Rovereto (TN) - Italy • Tel: +39 0464 484 111 • info@sicoritaly.com

www.sicoritaly.com